



2012

Soil Investigation Tools Catalogue



KUVAWALA CORE DRILL EQPT. PVT. LTD.

QUALITY RUNS DEEP

www.kuvawalacoredrill.com

INDEX

- ❖ TUNGSTEN CARBIDE BITS
- ❖ DRILL RODS
- ❖ SOIL SAMPLING CORE BARRELS
- ❖ SPLIT TUBE SAMPLER
- ❖ SPT AUTOMATIC TRIP HAMMER
- ❖ WATER SWIVELS
- ❖ HOISTING PLUGS
- ❖ CASINGS
- ❖ ADAPTERS
- ❖ WRENCHES

TUNGSTEN CARBIDE BITS

❖ TC CORE BITS

❖ TC CASING SHOES



TUNGSTEN CARBIDE CORE BITS



SIZE	SET O.D.	SET I.D.	WEIGHT KGS	PART NUMBERS
AWM/AWG	47.37	30.1	0.5	200-01-001
BWM/BWG	59.18	42.0	1.7	200-01-002
NWM/NWG	75.7	54.7	2.2	200-01-003
HWM/HWG	91.3	72.1	2.9	200-01-004
NX	75.7	54.7	1.5	200-01-005
BQ	59.95	36.5	1.9	200-01-006
NQ	75.7	47.6	2.2	200-01-007
HQ	96.0	63.5	2.6	200-01-008
BQ3	60.0	33.5	1.9	200-01-009
NQ3	75.7	45.0	2.2	200-01-010
HQ3	96.0	61.1	2.6	200-01-011



TUNGSTEN CARBIDE CASING SHOES



SIZE	SET O.D.	SET I.D.	WEIGHT KGS	PART NUMBERS
AW/AX	59.18	45.21	0.5	200-00-001
BW/BX	74.80	56.26	1.7	200-00-002
NW/NX	91.31	72.29	2.2	200-00-003
HW/HX	117.5	99.82	2.9	200-00-004
PW/PX	143.5	121.3	3.8	200-00-005

DRILL RODS

- ❖ 'W' SERIES DRILL RODS
- ❖ 'WJ' SERIES DRILL RODS



W SERIES DRILL RODS



SIZE	LENGTH	O.D.	I.D.	T.P.I	WEIGHT KGS	PART NUMBERS
AW	0.5	44	31.4	3	3.7	K7-01-001
AW	1	44	31.4	3	6.6	K7-01-002
AW	1.5	44	31.4	3	9.6	K7-01-003
AW	3	44	31.4	3	18.4	K7-01-004
BW	0.5	54	38	3	6.0	K7-02-001
BW	1	54	38	3	10.6	K7-02-002
BW	1.5	54	38	3	15.1	K7-02-003
BW	3	54	38	3	28.7	K7-02-004
NW	0.5	66.7	51	3	7.6	K7-03-001
NW	1	66.7	51	3	13.3	K7-03-002
NW	1.5	66.7	51	3	19.0	K7-03-003
NW	3	66.7	51	3	36.0	K7-03-004
HW	0.5	88.9	71.5	3	11.2	K7-04-001
HW	1	88.9	71.5	3	19.9	K7-04-002
HW	1.5	88.9	71.5	3	28.5	K7-04-003
HW	3	88.9	71.5	3	54.6	K7-04-004

ALL KUVAWALA DRILL RODS ARE MANUFACTURED FROM THE HIGHEST QUALITY RAW MATERIALS i.e. COLD DRAWN SEAMLESS TUBES OF GRADE SAE 1541 THAT ARE IMPORTED . THESE HAVE EXTREMELY HIGH MECHANICAL PROPERTIES AND STRAIGHTNESS BETTER THAN 1 : 2000 . ALL DRILL RODS ARE PARALLEL WALL

STANDARD ' W ' SERIES DRILL RODS ARE FLUSH COUPLED AND A COUPLING IS SUPPLIED WITH EACH ROD LENGTH. COUPLINGS ARE MADE OF HEAT TREATED ALLOY STEEL.

WEIGHTS GIVEN ABOVE ARE INCLUSIVE OF COUPLING WEIGHT.



WJ SERIES DRILL RODS



SIZE	LENGTH	O.D.	I.D.	T.P.I	WEIGHT KGS	PART NUMBERS
AWJ	0.5	44.4	34.9	5	3.7	K8-01-001
AWJ	1	44.4	34.9	5	6.6	K8-01-002
AWJ	1.5	44.4	34.9	5	9.6	K8-01-003
AWJ	3	44.4	34.9	5	18.4	K8-01-004
BWJ	0.5	54	44.4	5	6.0	K8-02-001
BWJ	1	54	44.4	5	10.6	K8-02-002
BWJ	1.5	54	44.4	5	15.1	K8-02-003
BWJ	3	54	44.4	5	28.7	K8-02-004
NWJ	0.5	66.6	57	4	5.6	K8-03-001
NWJ	1	66.6	57	4	11.3	K8-03-002
NWJ	1.5	66.6	57	4	17.0	K8-03-003
NWJ	3	66.6	57	4	31.0	K8-03-004

ALL KUVAWALA DRILL RODS ARE MANUFACTURED FROM SEAMLESS CARBON STEEL TUBES , WHICH HAVE EXTREMELY HIGH MECHANICAL PROPERTIES. THE STRAIGHTNESS OF THE TUBES ARE BETTER THAN 1 IN 2000 MM.

THE COUPLERS ARE MANUFACTURED FROM HIGH ALLOY STEEL AND ARE HEAT TREATED IN ORDER TO ATTAIN VERY HIGH MECHANICAL PROPERTIES AND WEAR RESISTANCE.

THE COUPLERS ARE JOINED TO THE PIPE USING KUVAWALA'S PROPRIETARY METHOD, WHICH ENABLES THE COUPLERS TO RUN DEAD THROUGH WITH THE PIPE . THE WELDING IS CARRIED OUT IN A CONTROLLED ENVIRONMENT TO GIVE MAXIMUM STRENGTH.

UNLIKE FRICTION WELDED DRILL RODS WHICH ARE PRONE TO BREAKAGE, DUE TO EXCESSIVE HARDNESS WHICH HAPPENS WHILE FRICTION WELDING AT THE JOINT.

SOIL SAMPLING CORE BARRELS

❖ 'WG' SERIES DOUBLE TUBE CORE BARRELS

❖ TRIPLE TUBE CORE BARRELS

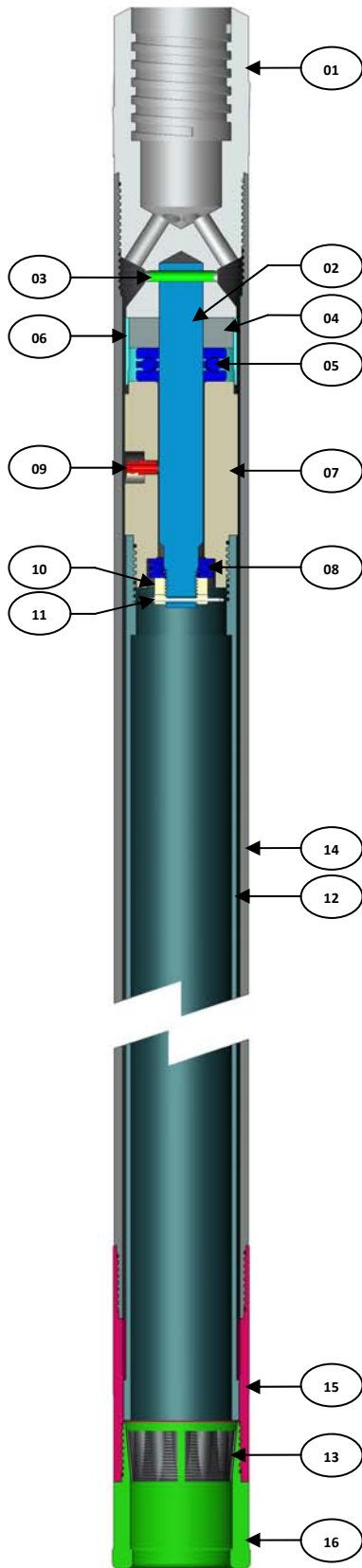
NMLC CORE BARREL

HMLC CORE BARREL

NWMA CORE BARREL

❖ MAZIER CORE BARREL

BWG CORE BARREL



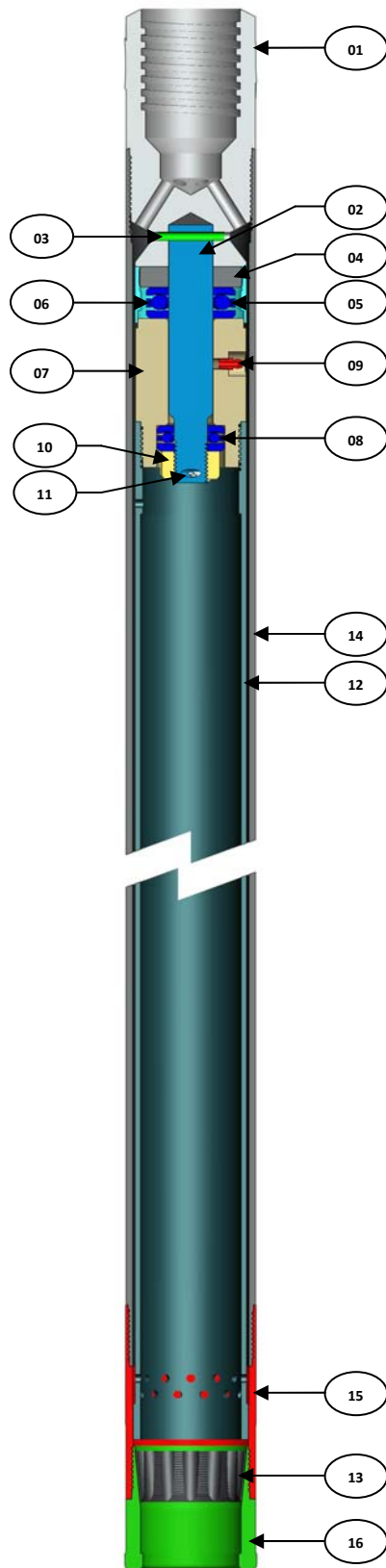
	ITEM DESCRIPTION	PART NUMBERS
1-16	BWG CORE BARREL ASSEMBLY 3.0 M	60-00-100
1-16	BWG CORE BARREL ASSEMBLY 1.5 M	60-00-110
1-11	BWG HEAD ASSEMBLY	60-00-200
01	HEAD	60-01-001
02	SPINDLE	60-01-002
03	SPRING DOWEL	60-01-003
04	RUBBER SPACER	60-01-004
05	THRUST BEARING	60-01-005
06	BEARING COVER	60-01-006
07	BEARING SPINDLE	60-01-007
08	THRUST BEARING	60-01-008
09	GREASE FITTING	16-03-024
10	CASTLE NUT	60-01-009
11	COTTER PIN	60-01-010
12	INNER TUBE 3.0 M	60-03-001
12	INNER TUBE 1.5M	60-03-002
13	CORE LIFTER	60-03-003
14	OUTER TUBE 3.0 M	60-02-001
14	OUTER TUBE 1.5 M	60-02-002
15	BLANK REAMER SHELL	60-02-003
16	BIT BLANK	60-02-004

ALL KUVAWALA CORE BARRELS ARE MANUFACTURED FROM THE HIGHEST QUALITY RAW MATERIALS i.e. COLD DRAWN SEAMLESS TUBES OF GRADE SAE 1541 THAT ARE IMPORTED . THESE HAVE EXTREMELY HIGH MECHANICAL PROPERTIES AND STRAIGHTNESS BETTER THAN 1 : 2000 .

STANDARD KUVAWALA CORE BARRELS HAVE HEAT TREATED ALLOY STEEL HEADS WHICH COME WITH HARD METAL STRIPS ON THE DIAMETER OF THE HEAD WHICH ARE 60 Rc TO 65 Rc .

OPTIONALLY WE ALSO SUPPLY STANDARD CORE BARRELS WITH 18" LONG HARD CHROME PLATING AT BOTH ENDS OF THE OUTER TUBE AT EXTRA COST. THIS INCREASES THE LIFE OF THE OUTER TUBE EXPONENTIALLY.

NWG CORE BARREL



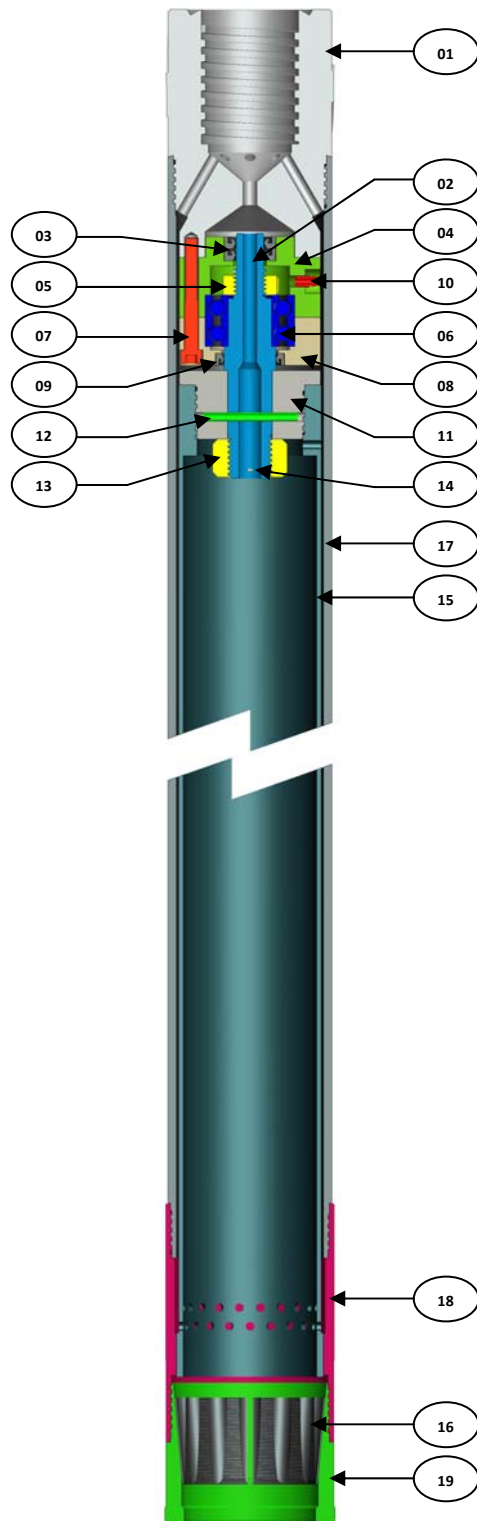
	ITEM DESCRIPTION	PART NUMBERS
1-17	NWG CORE BARREL ASSEMBLY 3.0 M	82-00-100
1-17	NWGCORE BARREL ASSEMBLY 1.5 M	82-00-110
1-11	NWG HEAD ASSEMBLY	62-00-200
01	HEAD	62-01-001
02	SPINDLE	62-01-002
03	SPRING DOWELL	62-01-003
04	RUBBER SPACER	62-01-004
05	THRUST BEARING	62-01-005
06	BEARING COVER	62-01-006
07	BEARING SPINDLE	62-01-007
08	THRUST BEARING	62-01-008
09	GREASE FITTING	16-03-024
10	CASTLE NUT	62-01-009
11	COTTER PIN	62-01-010
12	INNER TUBE 1.5 M	82-03-001
12	INNER TUBE 3.0 M	82-03-002
13	INNER TUBE EXTENTION	82-03-003
14	CORE LIFTER	82-03-004
15	OUTER TUBE 1.5 M	82-02-001
15	OUTER TUBE 3.0 M	82-02-002
16	BLANK REAMING SHELL	82-02-003
17	BIT BLANK	82-02-004

ALL KUVAWALA CORE BARRELS ARE MANUFACTURED FROM THE HIGHEST QUALITY RAW MATERIALS i.e. COLD DRAWN SEAMLESS TUBES OF GRADE SAE 1541 THAT ARE IMPORTED . THESE HAVE EXTREMELY HIGH MECHANICAL PROPERTIES AND STRAIGHTNESS BETTER THAN 1 : 2000 .

STANDARD KUVAWALA CORE BARRELS HAVE HEAT TREATED ALLOY STEEL HEADS WHICH COME WITH HARD METAL STRIPS ON THE DIAMETER OF THE HEAD WHICH ARE 60 Rc TO 65 Rc .

OPTIONALLY WE ALSO SUPPLY STANDARD CORE BARRELS WITH 18" LONG HARD CHROME PLATING AT BOTH ENDS OF THE OUTER TUBE AT EXTRA COST. THIS INCREASES THE LIFE OF THE OUTER TUBE EXPONENTIALLY.

HWG CORE BARREL



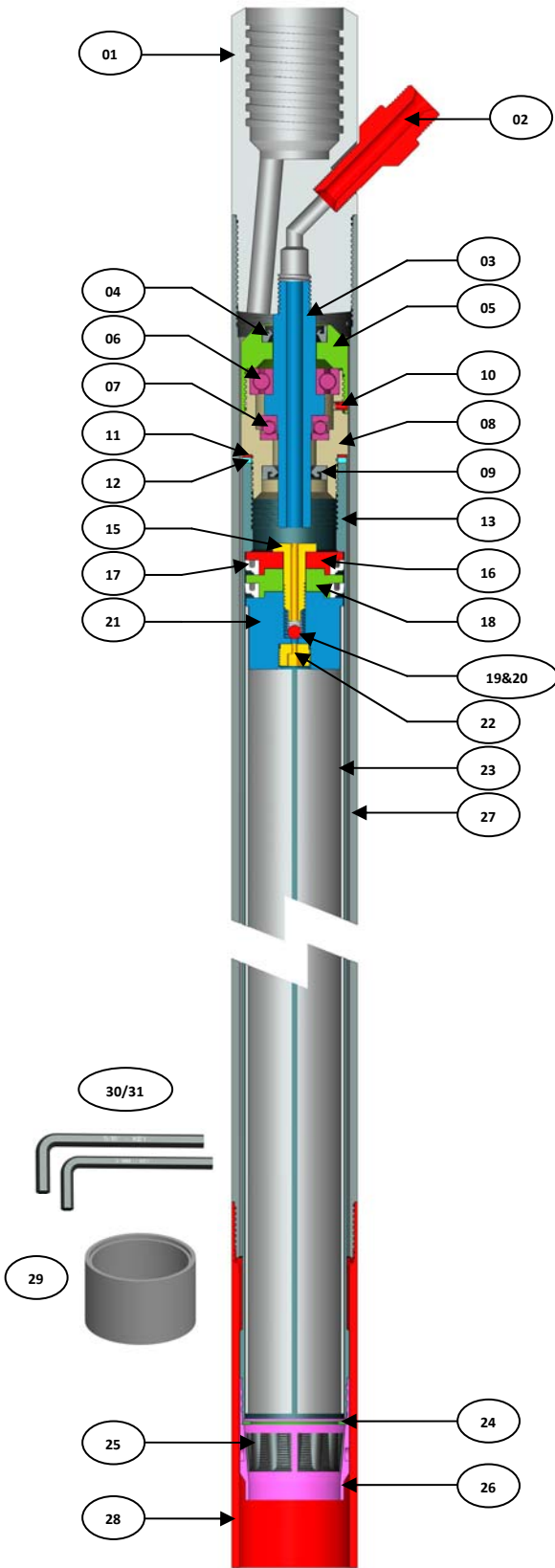
	ITEM DESCRIPTION	PART NUMBERS
1 -19	HWG CORE BARREL ASSEMBLY 3.0 M	64-00-100
1 -19	HWG CORE BARREL ASSEMBLY 1.5 M	64-00-110
1-14	HWG HEAD ASSEMBLY	64-00-200
01	HEAD	64-01-001
02	SPINDLE	64-01-002
03	OIL SEALS - 2 NOS.	64-01-003
04	BEARING HOUSING	64-01-004
05	NUT	64-01-005
06	BALL BEARINGS 6205 - 2NOS.	64-01-006
07	M8 BOLT	64-01-007
08	BEARING HOUSING CAP	64-01-008
09	OIL SEAL	64-01-009
10	GREASE FITTING	16-03-024
11	INNER TUBE CAP	64-01-010
12	SPRING DOWELL	64-01-011
13	CASTLE NUT	64-01-012
14	COTTER PIN	64-01-013
15	INNER TUBE 3.0 M	64-03-001
15	INNER TUBE 1.5 M	64-03-002
16	CORE LIFTER	64-03-003
17	OUTER TUBE 3.0 M	64-02-001
17	OUTER TUBE 1.5 M	64-02-002
18	BLANK REAMING SHELL	64-02-003
19	BIT BLANK	64-02-004

ALL KUVAWALA CORE BARRELS ARE MANUFACTURED FROM THE HIGHEST QUALITY RAW MATERIALS i.e. COLD DRAWN SEAMLESS TUBES OF GRADE SAE 1541 THAT ARE IMPORTED . THESE HAVE EXTREMELY HIGH MECHANICAL PROPERTIES AND STRAIGHTNESS BETTER THAN 1 : 2000 .

STANDARD KUVAWALA CORE BARRELS HAVE HEAT TREATED ALLOY STEEL HEADS WHICH COME WITH HARD METAL STRIPS ON THE DIAMETER OF THE HEAD WHICH ARE 60 Rc TO 65 Rc .

OPTIONALLY WE ALSO SUPPLY STANDARD CORE BARRELS WITH 18" LONG HARD CHROME PLATING AT BOTH ENDS OF THE OUTER TUBE AT EXTRA COST. THIS INCREASES THE LIFE OF THE OUTER TUBE EXPONENTIALLY.

NMLC CORE BARREL



	ITEM DESCRIPTION	PART NUMBERS
1-31	NMLC CORE BARREL - 3.0m/ 10 ft	68-00-100
1-31	NMLC CORE BARREL - 1.5m/ 5 ft	68-00-110
1-10	NMLC HEAD ASSEMBLY	68-00-200
01	NMLC HEAD	68-01-001
02	WATER PUMP PLUG	66-01-002
03	SPINDLE	68-01-003
04	OIL SEAL	68-01-004
05	BEARING HOUSING CAP	68-01-005
06	BALL BEARING	68-01-006
07	THRUST BEARING	68-01-007
08	BEARING HOUSING	68-01-008
09	OIL SEAL	68-01-009
10	GRUB	66-01-010
11	SPACER 1.56 mm THICK	68-03-001
12	SPACER 3.12 mm THICK	68-03-002
13	INNER TUBE - 3.0m / 10 ft	68-03-003
13	INNER TUBE - 1.5m / 5 ft	68-03-004
14	BRASS PISTON ASSEMBLY	68-03-005
15	BRASS SCREW	66-03-006
16	BRASS WASHER I	68-03-007
17	OIL SEALS - 2 NOS.	68-03-008
18	BRASS WASHER II	68-03-009
19	SPRING	66-03-010
20	STEEL BALL	66-03-011
21	BRASS PLUG	68-03-012
22	BRASS GRUB	66-03-013
23	SPLIT TUBE - 3.0m / 10 ft	68-03-014
23	SPLIT TUBE - 1.5m / 5 ft	68-03-015
24	RING STOP	68-03-016
25	CORE LIFTER	68-03-017
26	CORE LIFTER CASE	68-03-018
27	OUTER TUBE - 3.0m / 10 ft	68-02-001
27	OUTER TUBE - 1.5m / 5 ft	68-02-002
28	THREAD PROTECTOR	68-02-003
29	BRASS PISTON GUIDE	68-02-004
30	5/16" ALLEN KEY	66-02-005
31	3MM ALLEN KEY	66-02-006

ALL KUVAWALA CORE BARRELS ARE MANUFACTURED FROM THE HIGHEST QUALITY RAW MATERIALS i.e. COLD DRAWN SEAMLESS TUBES OF GRADE SAE 1541 THAT ARE IMPORTED . THESE HAVE EXTREMELY HIGH MECHANICAL PROPERTIES AND STRAIGHTNESS BETTER THAN 1 : 2000 .

STANDARD KUVAWALA CORE BARRELS HAVE HEAT TREATED ALLOY STEEL HEADS WHICH COME WITH HARD METAL STRIPS WELDED ON THE DIAMETER OF EACH HEAD WHICH ARE 60 Rc TO 65 Rc .

THE OUTER TUBES HAVE HARD METAL STRIPS WELDED AT BOTH ENDS. THESE STRIPS HAVE HARDNESS OF 60 TO 65 Rc AND CONSIDERABLY REDUCE THE WEAR AND TEAR ON THE OUTER TUBE.

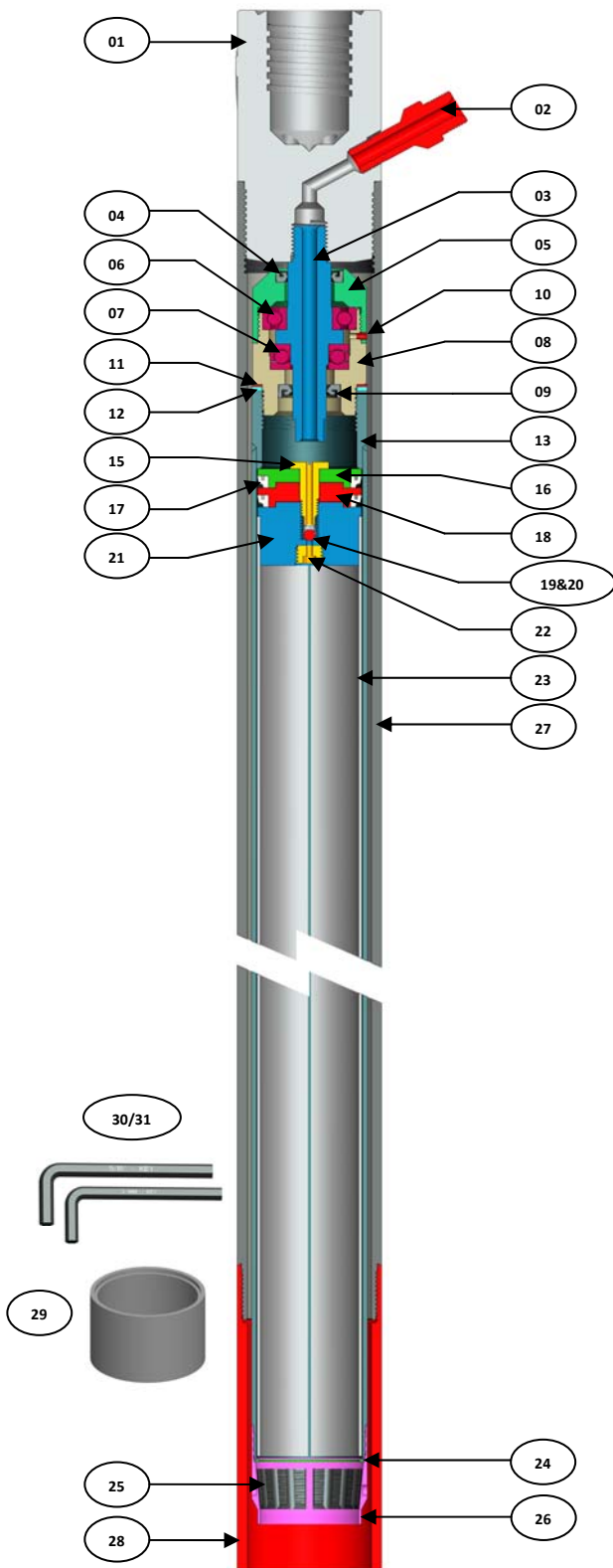
Head Office: 524, Arun Chambers, Tardeo, Mumbai 400 034. INDIA.

Factory: Hadapsar, Pune. Tel.: +91-22-6663 5452 / 2351 6141

Email: sales@kuvawalacoredrill.com / mgk@kuvawalacoredrill.com

www.kuvawalacoredrill.com

HMLC CORE BARREL



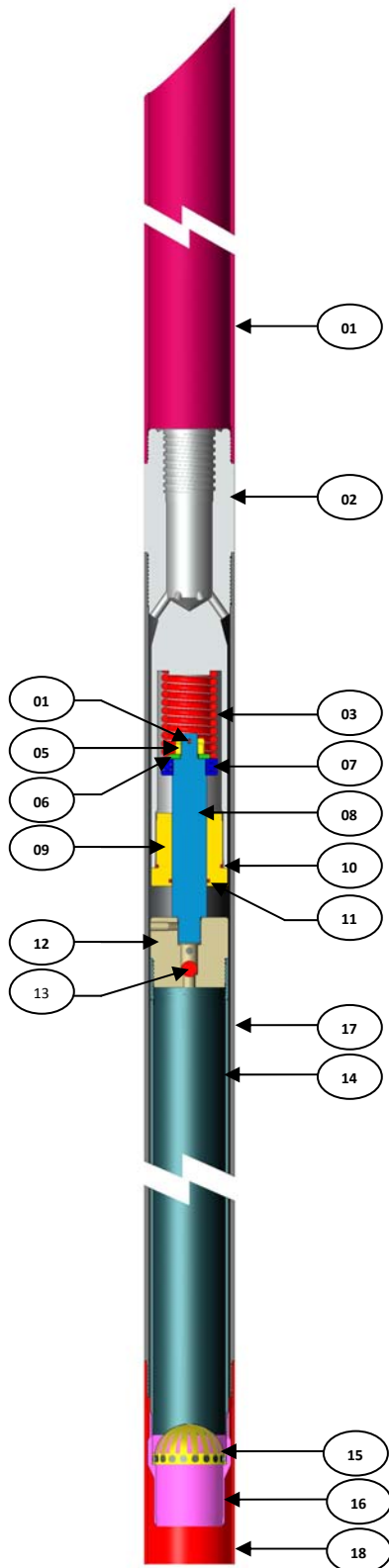
	ITEM DESCRIPTION	PART NUMBERS
1-31	HMLC CORE BARREL - 3.0m/ 10 ft	66-00-100
1-31	HMLC CORE BARREL - 1.5m/ 5 ft	66-00-110
1-10	HMLC HEAD ASSEMBLY	66-00-200
01	HMLC HEAD	66-01-001
02	WATER PUMP PLUG	66-01-002
03	SPINDLE	66-01-003
04	OIL SEAL	66-01-004
05	BEARING HOUSING CAP	66-01-005
06	BALL BEARING	66-01-006
07	THRUST BEARING	66-01-007
08	BEARING HOUSING	66-01-008
09	OIL SEAL	66-01-009
10	GRUB	66-01-010
11	SPACER 1.56 mm THICK	66-03-001
12	SPACER 3.12 mm THICK	66-03-002
13	INNER TUBE - 3.0m / 10 ft	66-03-003
13	INNER TUBE - 1.5m / 5 ft	66-03-004
14	BRASS PISTON ASSEMBLY	66-03-005
15	BRASS SCREW	66-03-006
16	BRASS WASHER I	66-03-007
17	OIL SEALS – 2 NOS.	66-03-008
18	BRASS WASHER II	66-03-009
19	SPRING	66-03-010
20	STEEL BALL	66-03-011
21	BRASS PLUG	66-03-012
22	BRASS GRUB	66-03-013
23	SPLIT TUBE - 3.0m / 10 ft	66-03-014
23	SPLIT TUBE - 1.5m / 5 ft	66-03-015
24	RING STOP	66-03-016
25	CORE LIFTER	66-03-017
26	CORE LIFTER CASE	66-03-018
27	OUTER TUBE - 3.0m / 10 ft	66-02-001
27	OUTER TUBE - 1.5m / 5 ft	66-02-002
28	THREAD PROTECTOR	66-02-003
29	BRASS PISTON GUIDE	66-02-004
30	5/16" ALLEN KEY	66-02-005
31	3MM ALLEN KEY	66-02-006

ALL KUVAWALA CORE BARRELS ARE MANUFACTURED FROM THE HIGHEST QUALITY RAW MATERIALS i.e. COLD DRAWN SEAMLESS TUBES OF GRADE SAE 1541 THAT ARE IMPORTED . THESE HAVE EXTREMELY HIGH MECHANICAL PROPERTIES AND STRAIGHTNESS BETTER THAN 1 : 2000 .

STANDARD KUVAWALA CORE BARRELS HAVE HEAT TREATED ALLOY STEEL HEADS WHICH COME WITH HARD METAL STRIPS WELDED ON THE DIAMETER OF EACH HEAD WHICH ARE 60 Rc TO 65 Rc .

THE OUTER TUBES HAVE HARD METAL STRIPS WELDED AT BOTH ENDS. THESE STRIPS HAVE HARDNESS OF 60 TO 65 Rc AND CONSIDERABLY REDUCE THE WEAR AND TEAR ON THE OUTER TUBE.

MAZIER CORE BARREL



	ITEM DESCRIPTION	PART NUMBERS
1 -18	MAZIER CORE BARREL	86-00-100
01	SEDIMENTARY TUBE	86-01-001
02	HEAD	86-01-002
03	COMPRESSION SPRING	86-01-003
04	COTTER PIN	86-01-004
05	CASTLE NUT	86-01-005
06	WASHER	86-01-006
07	THRUST BEARING	86-01-007
08	SPINDLE	86-01-008
09	BRASS HOUSING	86-01-009
10	O - RING	86-01-010
11	O - RING	86-01-011
12	INNER TUBE CAP	86-01-012
13	SATINLESS STEEL BALL	86-01-013
14	INNER TUBE	86-03-001
15	CORE LIFTER	86-03-002
16	CORE LIFTER CASE	86-03-003
17	OUTER TUBE	86-02-001
18	THREAD PROTECTOR	86-02-002

THE AUTOMATIC IMAZ CORE BARREL ALLOWS TO TAKE AN UNDISTURBED SAMPLE OF SOIL BY APPLYING PRESSURE.

THE ROTATION INCLUDES A FRICTIONLESS DESIGN TO HAVE A WALL COEFFICIENT CLOSE TO ZERO.

THE AXIAL MOVEMENT OF THE SHOE FROM THE BIT ALLOWS AN ADAPTATION TO THE ENCOUNTERED FORMATION WHICH MIGHT BE OF DIFFERENT HARDNESS AND THIS WITHOUT AFFECTING THE QUALITY OF THE SAMPLING. THE SHOE BEING AHEAD OF THE BIT STOPS THE WATER FROM ERODING THE CORE AND THEREFORE DISTURBING IT.

THIS CORE BARREL CAN BE EQUIPPED WITH A DIAMOND BIT AND A CONICAL CORE LIFTER TO SAMPLE ROCK.

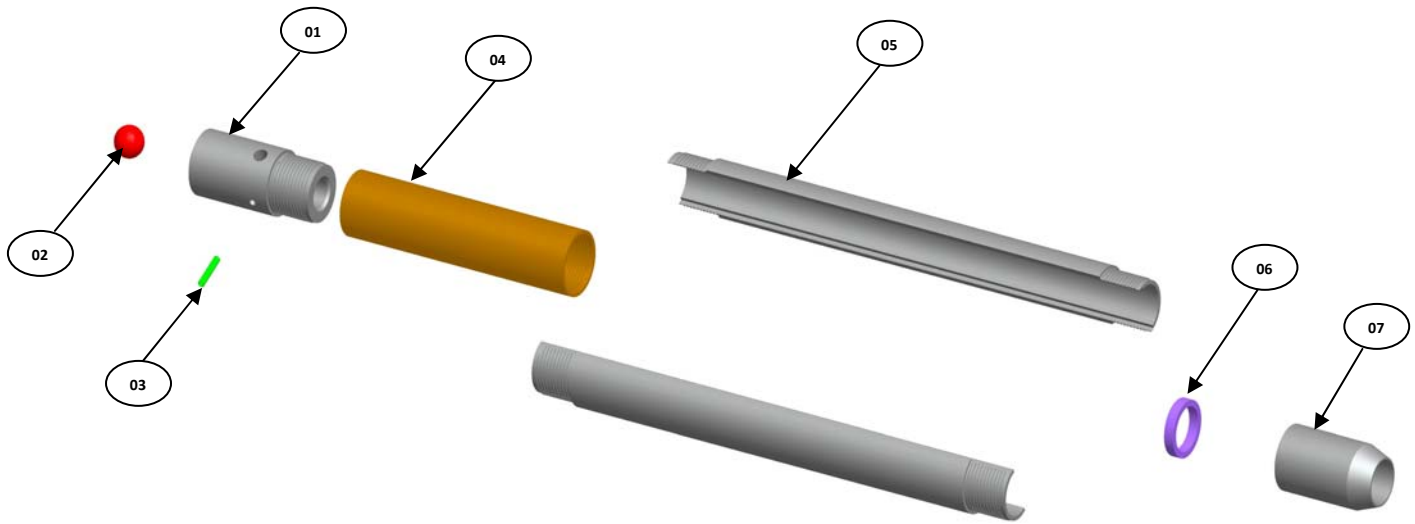
SAMPLED ROCK:

SOFT FORMATION 0.1 MPa TO HARD ROCK 5 MPa.

STANDARD PENETRATION TEST

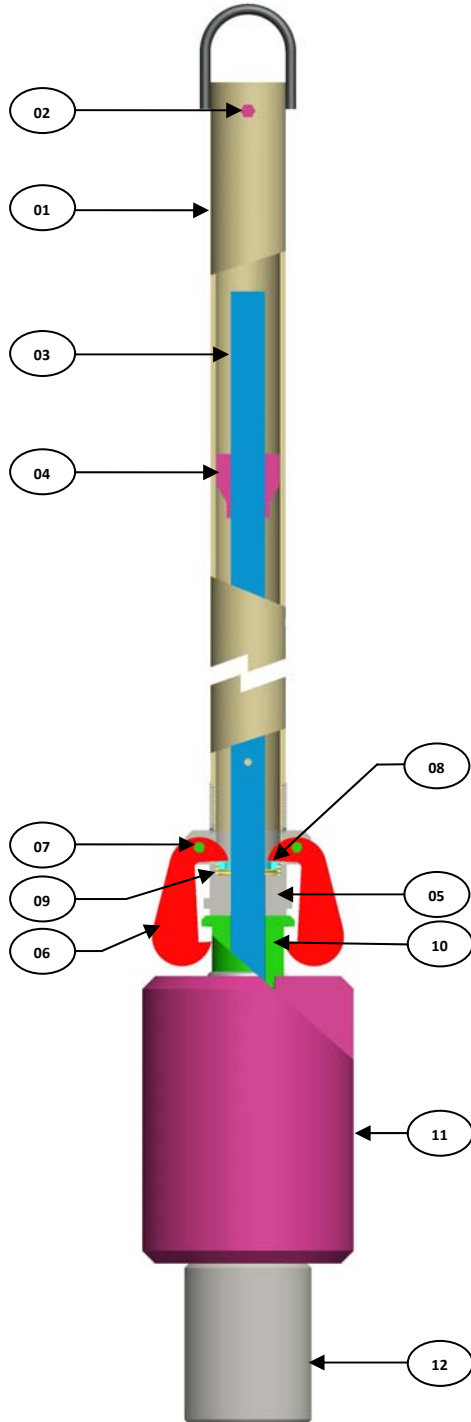
- ❖ SPT SPLIT TUBE SAMPLER
- ❖ SPT AUTO TRIP HAMMER

SPLIT TUBE SAMPLER



	ITEM DESCRIPTION	PART NUMBERS
1-7	SPLIT TUBE SAMPLER 18"	76-00-100
1-7	SPLIT TUBE SAMPLER 36"	76-00-110
01	HEAD	76-00-001
02	STEEL BALL – 25.4 MM	76-00-002
03	SPRING DOWELL	76-00-003
04	EXTENSION	76-00-004
05	SPLIT TUBE 18"	76-00-005
05	SPLIT TUBE 36"	76-00-006
06	SPACER	76-00-007
07	SHOE	76-00-008

SPT AUTO TRIP HAMMER

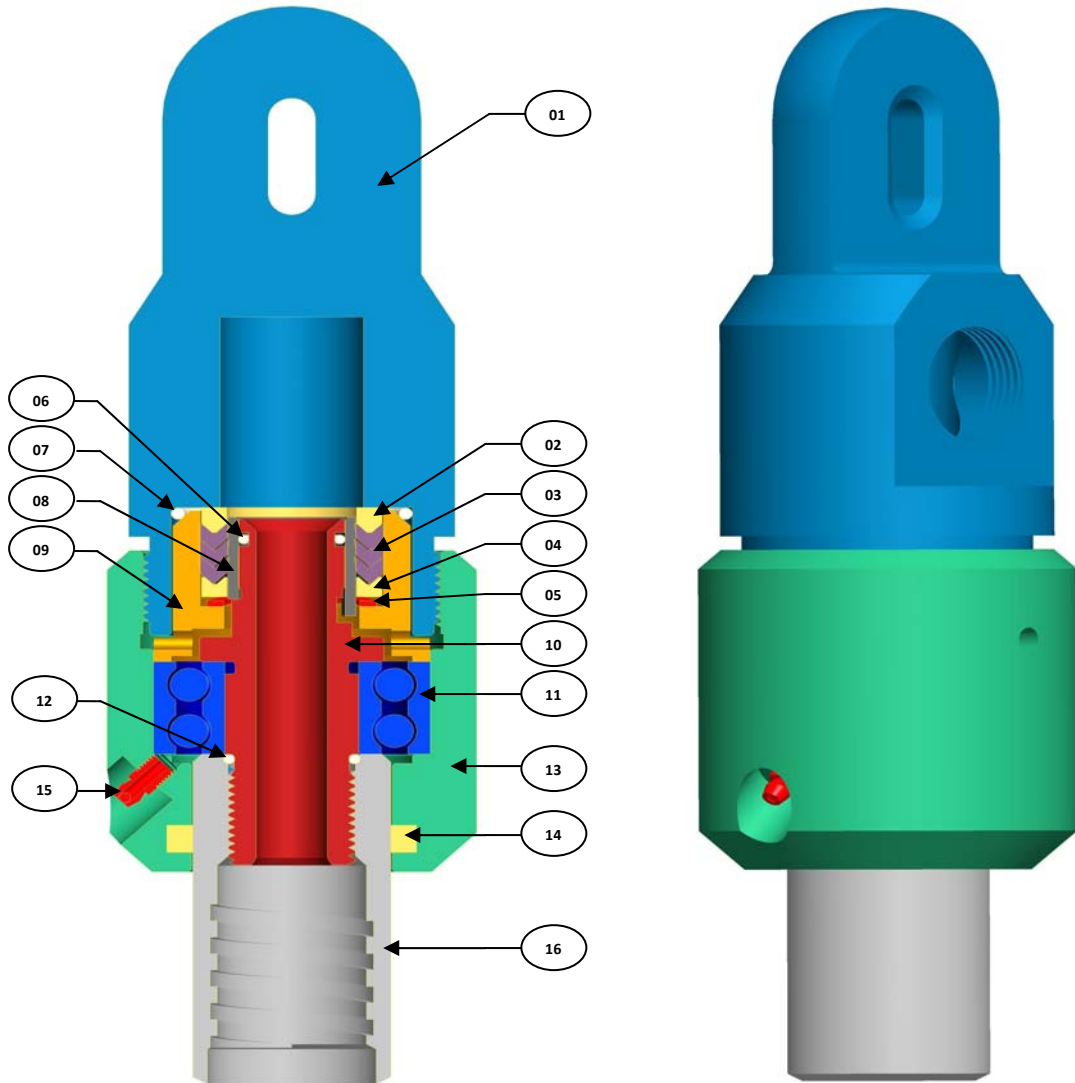


	ITEM DESCRIPTION	PART NUMBERS
1 -12	SPT AUTO TRIP HAMMER	78-00-100
01	HAMMER PIPE BODY	78-00-001
02	HAMMER PIPE BOLT	78-00-002
03	HAMMER SPINDLE	78-00-003
04	HAMMER SPINDLE BUSH	78-00-004
05	HAMMER LATCH BODY	78-00-005
06	HAMMER LATCH - 2 NOS.	78-00-006
07	SOLID PIN - 2 NOS.	78-00-007
08	LATCH SPRING WASHER	78-00-008
09	HAMMER COMPRESSION SPRING	78-00-009
10	HAMMER LOAD BUSH	78-00-010
11	HAMMER 63.5 KG WIEGHT	78-00-012
12	HAMMER AW ROD COLLAR	78-00-013

WATER SWIVELS

- ❖ COMPACT WATER SWIVELS
- ❖ COMPACT PLUS WATER SWIVELS
- ❖ UNIVERSAL WATER SWIVELS

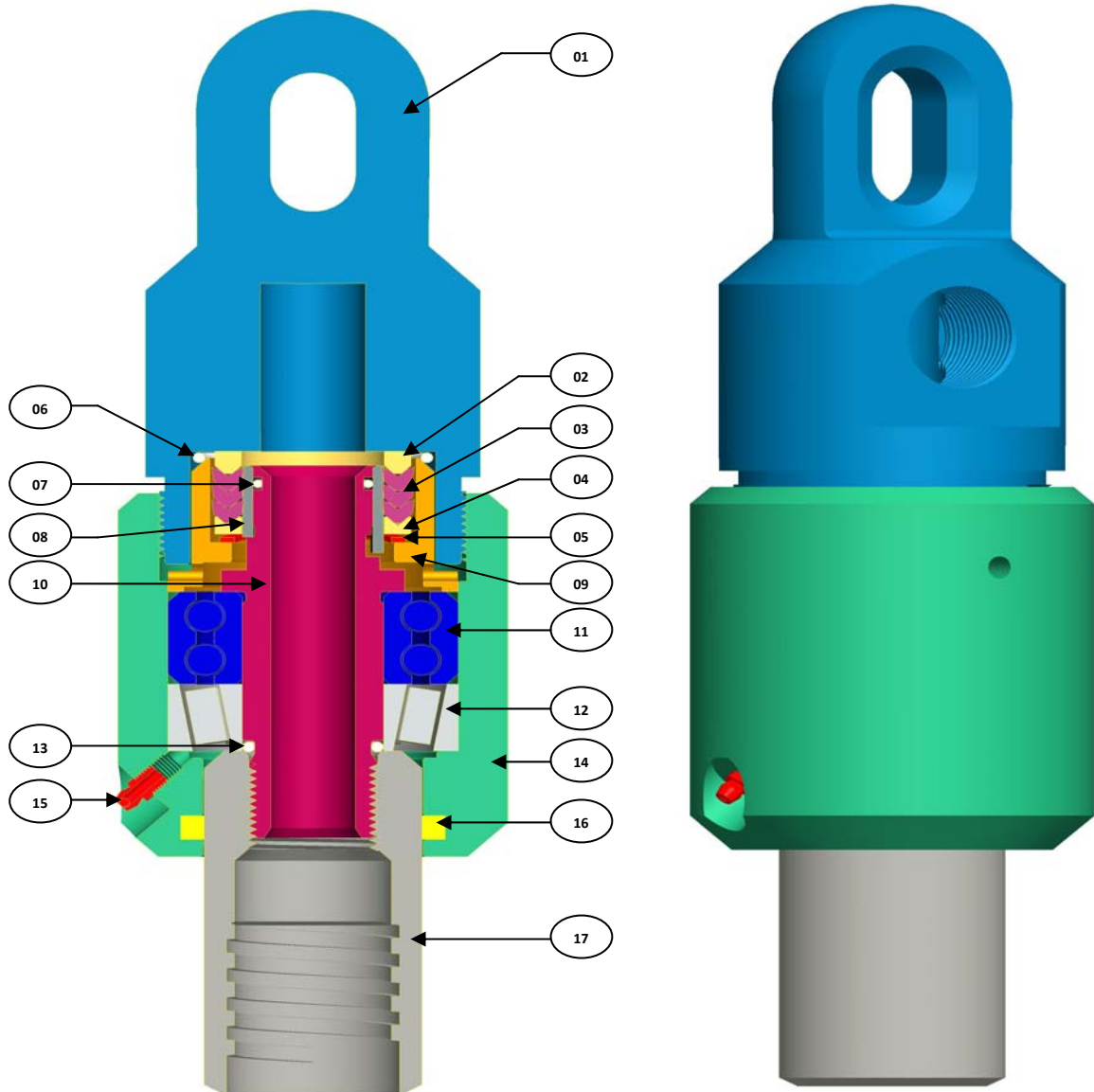
5 TON COMPACT WATER SWIVEL



	ITEM DESCRIPTION	PART NUMBERS
1-16	5 TON WATER SWIVEL	30-00-100
01	BAIL	30-00-001
02	BRASS WASHER MALE	30-00-002
03	GASKET – 4 NOS.	30-00-003
04	BRASS WASHER FEMALE	30-00-004
05	WAVE WASHER	30-00-005
06	O RING	30-00-006
07	O RING	30-00-007
08	SPINDLE WEAR BUSH	30-00-008
09	BRASS BUSH	30-00-009
10	SPINDLE	30-00-010
11	BALL BEARING	30-00-011
12	O RING	30-00-012

	ITEM DESCRIPTION	PART NUMBERS
13	BODY	30-00-013
14	FELT RING	30-00-014
15	GREASE FITTING	16-03-024
16	ADAPTER AW	30-00-016

10 TON COMPACT PLUS WATER SWIVEL



	ITEM DESCRIPTION	PART NUMBERS
1-17	10 TON WATER SWIVEL	32-00-100
01	BAIL	32-00-001
02	BRASS WASHER MALE	32-00-002
03	GASKET – 4 NOS.	32-00-003
04	BRASS WASHER FEMALE	32-00-004
05	WAVE WASHER	32-00-005
06	O RING	32-00-006
07	O RING	32-00-007
08	SPINDLE WEAR BUSH	32-00-008
09	BRASS BUSH	32-00-009
10	SPINDLE	32-00-010
11	BALL BEARING	32-00-011

	ITEM DESCRIPTION	PART NUMBERS
12	TAPER ROLLER BEARING	32-00-012
13	O RING	32-00-013
14	BODY	32-00-014
15	GREASE FITTING	16-03-024
16	FELT RING	32-00-016
17	ADAPTER BW	32-00-017

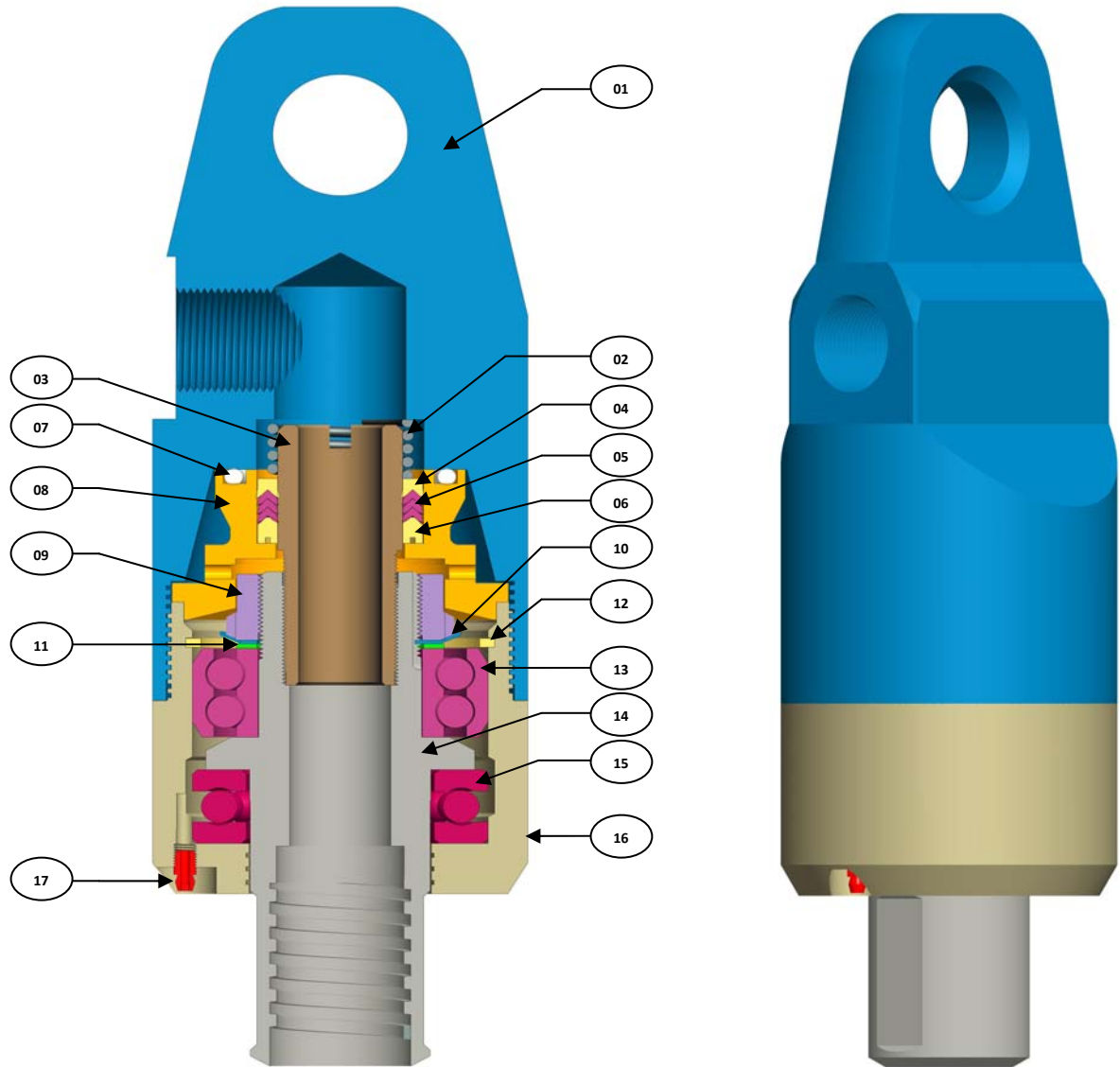
Head Office: 524, Arun Chambers, Tardeo, Mumbai 400 034. INDIA.

Factory: Hadapsar, Pune. Tel.: +91-22-6663 5452 / 2351 6141

Email: sales@kuvawalacoredrill.com / mgk@kuvawalacoredrill.com

www.kuvawalacoredrill.com

25 TON UNIVERSAL WATER SWIVEL



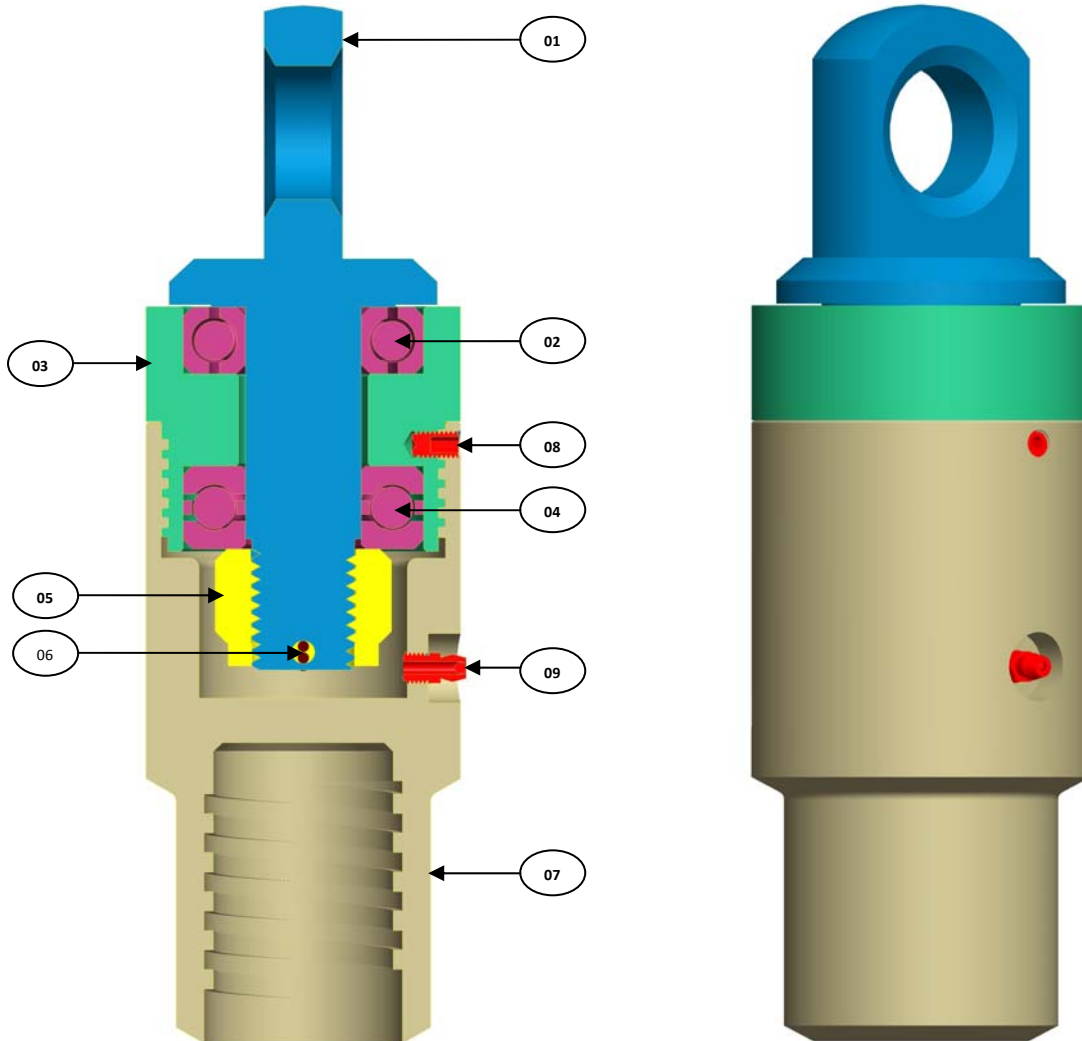
	ITEM DESCRIPTION	PART NUMBERS
1-17	25 TON WATER SWIVEL	34-00-100
01	BAIL	34-00-001
02	COMPRESSION SPRING	34-00-002
03	SPINDLE EXTENSION	34-00-003
04	MALE GASKET	34-00-004
05	GASKETS - 3 NOS.	34-00-005
06	FEMALE GASKET	34-00-006
07	O RING	34-00-007
08	BRASS BUSH	34-00-008
09	CHECK NUT	34-00-009
10	LOCKING WASHER	34-00-010

	ITEM DESCRIPTION	PART NUMBERS
11	SPACER	34-00-011
12	CIR CLIP	34-00-012
13	BALL BEARING - 5210	34-00-013
14	SPINDLE BW	34-00-014
15	THRUST BEARING - 211	34-00-015
16	BODY	34-00-016
17	GREASE FITTING	16-03-024

HOISTING PLUGS

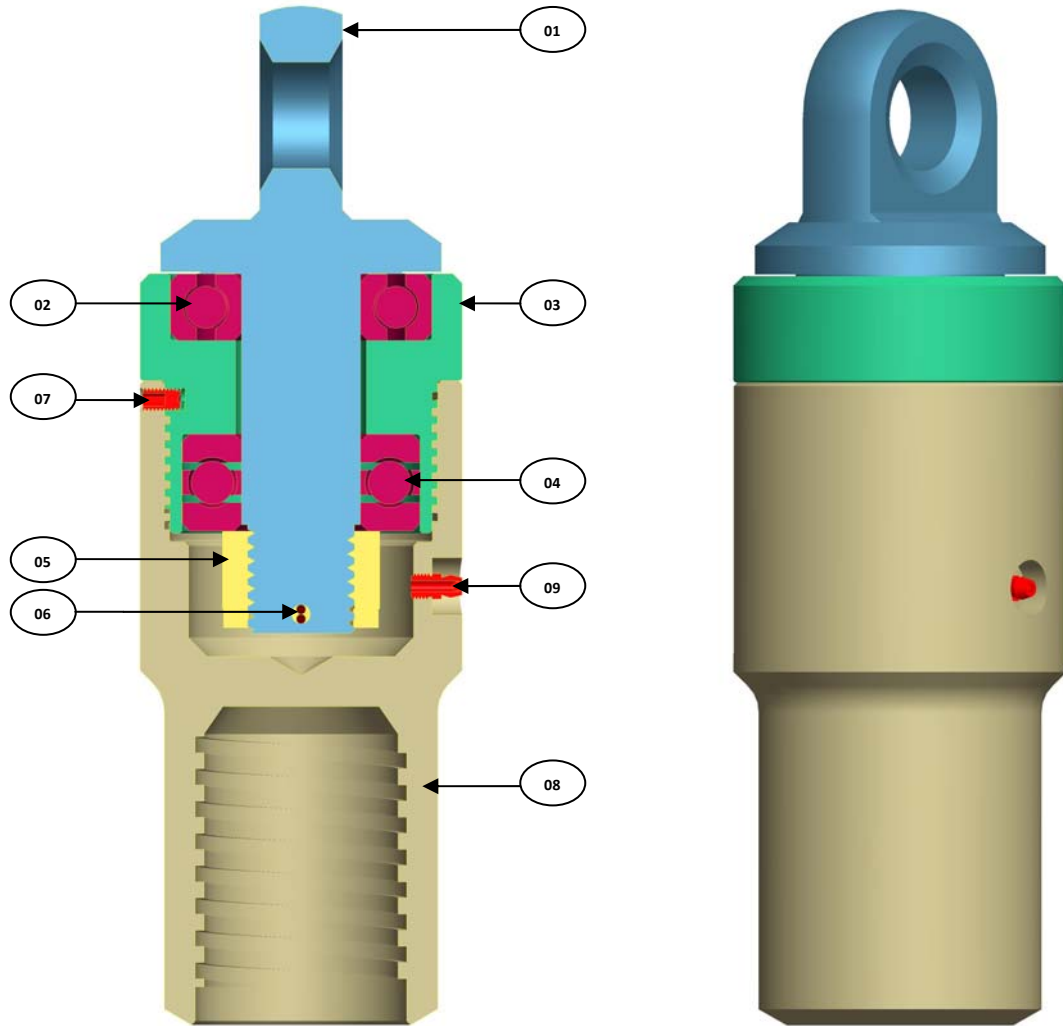
- ❖ 5 TON HOISTING PLUG
- ❖ 10 TON HOISTING PLUG

HOISTING PLUG - 5 TON



	ITEM DESCRIPTION	PART NUMBERS
1-9	5 TON - HOISTING PLUG	36-00-100
01	SPINDLE	36-00-001
02	BALL BEARING	36-00-002
03	BEARING HOUSING	36-00-003
04	THRUST BEARING	36-00-004
05	CASTLE NUT	36-00-005
06	COTTER PIN	36-00-006
07	HOISTING PLUG BODY	36-00-007
08	GRUB	36-00-008
09	GREASE FITTING	16-03-014

HOISTING PLUG - 10 TON



	ITEM DESCRIPTION	PART NUMBERS
1-9	10 TON - HOISTING PLUG	38-00-100
01	SPINDLE	38-00-001
02	BEARING	38-00-002
03	BEARING HOUSING	38-00-003
04	RHRUST BEARING	38-00-004
05	CASTLE NUT	38-00-005
06	COTTER PIN	38-00-006
07	GRUB	38-00-007
08	HOISTING PLUG BODY	38-00-008
09	GREASE FITTING	16-03-014

CASINGS

- ❖ ' W ' SERIES FLUSH JOINT CASINGS
- ❖ ' X ' SERIES FLUSH CPUPLED CASINGS



W SERIES CASINGS



SIZE	LENGTH	O.D.	I.D.	T.P.I	WEIGHT KGS	PART NUMBERS
AW	0.5	57.1	48.4	4	3.1	K6-01-001
AW	1	57.1	48.4	4	6.2	K6-01-002
AW	1.5	57.1	48.4	4	8.3	K6-01-003
AW	3	57.1	48.4	4	16.9	K6-01-004
BW	0.5	73.0	60.3	4	5.4	K6-02-001
BW	1	73.0	60.3	4	10.6	K6-02-002
BW	1.5	73.0	60.3	4	15.3	K6-02-003
BW	3	73.0	60.3	4	31.2	K6-02-004
NW	0.5	88.9	76.2	4	6.7	K6-03-001
NW	1	88.9	76.2	4	13.2	K6-03-002
NW	1.5	88.9	76.2	4	19.1	K6-03-003
NW	3	88.9	76.2	4	38.8	K6-03-004
HW	0.5	114.3	101.6	4	8.6	K6-04-001
HW	1	114.3	101.6	4	17.4	K6-04-002
HW	1.5	114.3	101.6	4	25.0	K6-04-003
HW	3	114.3	101.6	4	50.8	K6-04-004
HWT	0.5	114.3	101.6	2.5	8.8	K6-05-001
HWT	1	114.3	101.6	2.5	17.9	K6-05-002
HWT	1.5	114.3	101.6	2.5	25.0	K6-05-003
HWT	3	114.3	101.6	2.5	50.9	K6-05-004
PW	0.5	139.7	126.5	3	12.5	K6-06-001
PW	1	139.7	126.5	3	25	K6-06-002
PW	1.5	139.7	126.5	3	34.7	K6-06-003
PW	3.0	139.7	126.5	3	69.4	K6-06-004

ALL KUVAWALA CASINGS ARE MANUFACTURED FROM THE HIGHEST QUALITY RAW MATERIALS i.e. COLD DRAWN SEAMLESS TUBES OF GRADE SAE 1541 THAT ARE IMPORTED . THESE HAVE EXTREMELY HIGH MECHANICAL PROPERTIES AND STRAIGHTNESS BETTER THAN 1 : 2000 . ALL DRILL CASINGS ARE PARALLEL WALL



X SERIES CASINGS



SIZE	LENGTH	O.D.	I.D.	T.P.I	WEIGHT KGS	PART NUMBERS
AX	0.5	57.4	50.8	8	3	K8-01-001
AX	1	57.4	50.8	8	5.2	K8-01-002
AX	1.5	57.4	50.8	8	7.5	K8-01-003
AX	3	57.4	50.8	8	14.8	K8-01-004
BX	0.5	73	65	8	5.1	K8-02-001
BX	1	73	65	8	9.6	K8-02-002
BX	1.5	73	65	8	11.4	K8-02-003
BX	3	73	65	8	21.8	K8-02-004
NX	0.5	88.9	80.9	8	5.7	K8-03-001
NX	1	88.9	80.9	8	9.8	K8-03-002
NX	1.5	88.9	80.9	8	14	K8-03-003
NX	3	88.9	80.9	8	26.6	K8-03-004
HX	0.5	114.3	104.6	5	8.3	K8-04-001
HX	1	114.3	104.6	5	14.9	K8-04-002
HX	1.5	114.3	104.6	5	21.5	K8-04-003
HX	3	114.3	104.6	5	41.3	K8-04-004

ALL KUVAWALA CASINGS ARE MANUFACTURED FROM THE HIGHEST QUALITY RAW MATERIALS i.e. COLD DRAWN SEAMLESS TUBES OF GRADE SAE 1541 THAT ARE IMPORTED . THESE HAVE EXTREMELY HIGH MECHANICAL PROPERTIES AND STRAIGHTNESS BETTER THAN 1 : 2000 . ALL DRILL CASINGS ARE PARALLEL WALL

STANDARD ' X ' SERIES CASINGS ARE FLUSH COUPLED AND A COUPLING IS SUPPLIED WITH EACH CASING LENGTH. COUPLINGS ARE MADE OF HEAT TREATED ALLOY STEEL.

WEIGHTS GIVEN ABOVE ARE INCLUSIVE OF COUPLING WEIGHT.

RECOVERY TOOLS

- ❖ RECOVERY TAPS MALE
- ❖ RECOVERY TAPS FEMALE
- ❖ FISHING DRILL RODS LEFT HAND



RECOVERY TAPS MALE



RIGHT HANDED TAPS			
SIZE	CONNECTON	WEIGHT KGS	PART NUMBERS
DRILL RODS			
AWL / AW	AW	1.3	95-00-001
BWL / BW	BW	2.2	95-00-002
NWL / NW	NW	4.7	95-00-003
HWL / HW	NW	5.5	95-00-004
PHD / PWL	NW	13.1	95-00-005
CASINGS			
BW	NW	4.7	95-00-006
NW / NX	NW	5.5	95-00-007
HW / HX	NW	13.1	95-00-008
HWT	NW	13.1	95-00-009

LEFT HANDED TAPS			
SIZE	CONNECTON	WEIGHT KGS	PART NUMBERS
DRILL RODS			
AWL / AW	AW	1.3	95-00-010
BWL / BW	BW	2.2	95-00-011
NWL / NW	NW	4.7	95-00-012
HWL / HW	NW	5.5	95-00-013
PHD / PWL	NW	13.1	95-00-014
CASINGS			
BW / BX	NW	4.7	95-00-015
NW / NX	NW	5.5	95-00-016
HW / HX	NW	13.1	95-00-017
HWT	NW	13.1	95-00-018

Head Office: 524, Arun Chambers, Tardeo, Mumbai 400 034. INDIA.

Factory: Hadapsar, Pune. Tel.: +91-22-6663 5452 / 2351 6141

Email: sales@kuvawalacoredrill.com / mgk@kuvawalacoredrill.com

www.kuvawalacoredrill.com



RECOVERY TAPS FEMALE



RIGHT HANDED BELL TAPS			
SIZE	CONNECTON	WEIGHT KGS	PART NUMBERS
DRILL RODS			
BWL / BW	BW	1.7	96-00-001
NWL / NW	NW	3.9	96-00-002
HWL / HW	NW	6.4	96-00-003

LEFT HANDED BELL TAPS			
SIZE	CONNECTON	WEIGHT KGS	PART NUMBERS
DRILL RODS			
BWL / BW	BW	1.7	96-00-004
NWL / NW	NW	3.9	96-00-005
HWL / HW	NW	6.4	96-00-007

ADAPTERS

DRILL ROD ADAPTORS

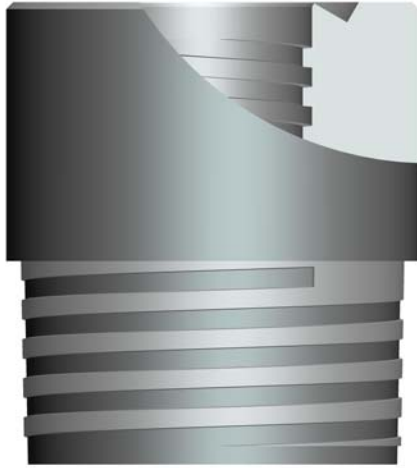


PIN	PIN	WEIGHT KGS	PART NUMBERS
AW	BW	1.4	94-00-050
AW	NW	1.9	94-00-051
BW	NW	2.2	94-00-052



PIN	W/L PIN	WEIGHT KGS	PART NUMBERS
AW	BWL	1.4	94-00-053
AW	NWL	2.2	94-00-054
AW	HWL	3.2	94-00-055
BW	BWL	1.4	94-00-056
BW	NWL	2.3	94-00-057
BW	HWL	3.3	94-00-058
BW	PWL	3.5	94-00-059
BW	PHD	3.5	94-00-060
NW	NWL	2.6	94-00-061
NW	HWL	3.5	94-00-062
NW	PWL	4.4	94-00-063
NW	PHD	4.4	94-00-064

DRILL ROD ADAPTORS

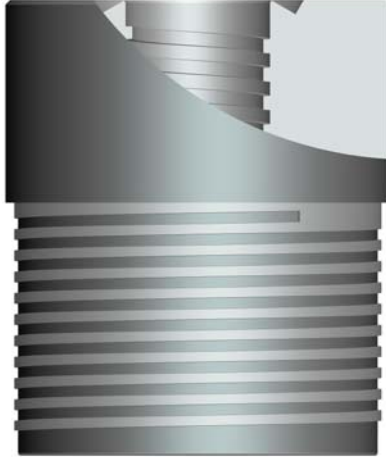


ROD BOX	W/L PIN	WEIGHT KGS	PART NUMBERS
AW	AWL	0.7	94-00-065
AW	BWL	1.3	94-00-066
AW	NWL	2.4	94-00-067
BW	BWL	1.0	94-00-068
BW	NWL	2.0	94-00-069
BW	HWL	3.8	94-00-070
NW	NWL	1.4	94-00-071
NW	HWL	3.5	94-00-072
NW	PWL	4.4	94-00-073
NW	PHD	4.4	94-00-074

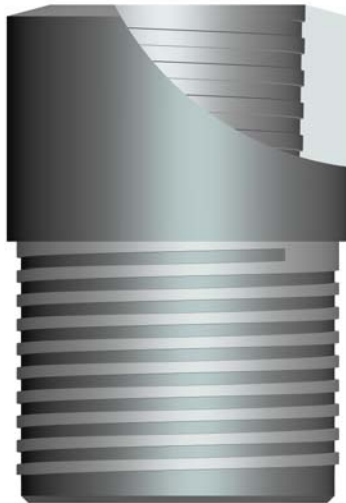


ROD PIN	W/L BOX	WEIGHT KGS	PART NUMBERS
AW	BWL	1.1	94-00-075
AW	NWL	1.7	94-00-076
AW	HWL	3.1	94-00-077
BW	BWL	1.1	94-00-078
BW	NWL	1.8	94-00-079
BW	HWL	2.9	94-00-080
BW	PWL	4.4	94-00-081
BW	PHD	4.4	94-00-082
NW	NWL	1.6	94-00-083
NW	HWL	2.7	94-00-084
NW	PWL	4.8	94-00-085
NW	PHD	4.8	94-00-086

CASING ADAPTORS



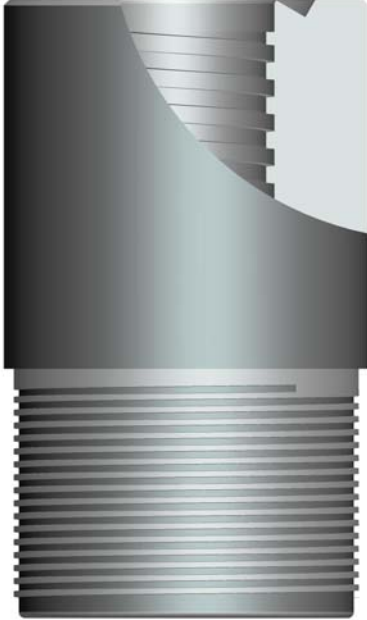
BOX	PIN	WEIGHT KGS	PART NUMBERS
AW	BW CASING	2.8	94-00-001
AW	NW CASING	5.0	94-00-002
AW	HW CASING	6.0	94-00-003
BW	BW CASING	2.5	94-00-004
BW	NW CASING	4.6	94-00-005
BW	HW CASING	8.3	94-00-006
BW	PW CASING	11.4	94-00-007
NW	NW CASING	4.2	94-00-008
NW	HW CASING	8.4	94-00-009
NW	PW CASING	11.9	94-00-010



BOX	PIN	WEIGHT KGS	PART NUMBERS
BWL	BW CASING	2.0	94-00-011
BWL	NW CASING	3.9	94-00-012
NWL	BW CASING	0.9	94-00-013
NWL	NW CASING	3.0	94-00-014
NWL	HW CASING	7.8	94-00-015
HWL	NW CASING	1.4	94-00-016
HWL	HW CASING	5.6	94-00-017
PWL	HW CASING	2.2	94-00-018
PHD	HW CASING	2.4	94-00-019
PHD	PW CASING	6.7	94-00-020

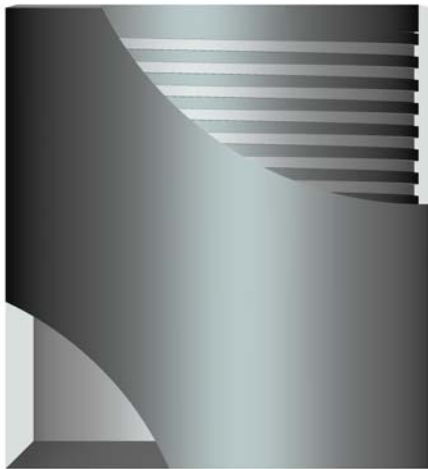


CASING ADAPTORS



BOX	PIN	WEIGHT KGS	PART NUMBERS
AW	BX CASING	3.0	94-00-021
AW	NX CASING	5.2	94-00-022
AW	HX CASING	6.2	94-00-023
BW	BX CASING	2.7	94-00-024
BW	NX CASING	4.8	94-00-025
BW	HX CASING	8.5	94-00-026
BW	PX CASING	11.6	94-00-027
NW	NX CASING	4.4	94-00-028
NW	HX CASING	8.6	94-00-029
NW	PX CASING	12.1	94-00-030

CASING DRIVE SHOE



BOX	WEIGHT KGS	PART NUMBERS
BW	0.8	94-00-031
BX	0.8	94-00-032
NW	1	94-00-033
NX	1	94-00-034
HW	1.2	94-00-035
HX	1.2	94-00-036
PW	1.4	94-00-037
PX	1.4	94-00-038



A.P.I. ADAPTORS

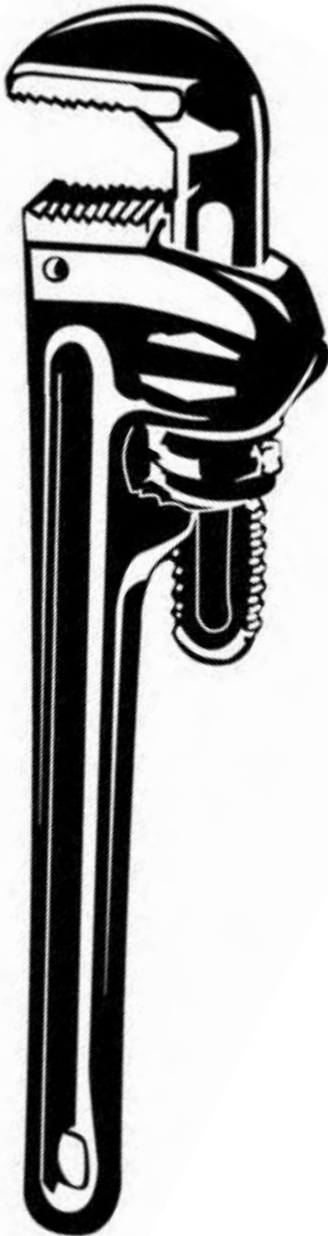


ROD BOX	API BOX	WEIGHT KGS	PART NUMBERS
BW	2 3/8" API REG	5.5	94-00-039
BW	2 7/8" API REG	6.9	94-00-040
BW	3 1/2" API REG	9.0	94-00-041
NW	2 3/8" API REG	5.9	94-00-042
NW	2 7/8" API REG	7.3	94-00-043
NW	3 1/2" API REG	9.5	94-00-044
NWL	2 3/8" API REG	3.3	94-00-045
NWL	2 7/8" API REG	3.0	94-00-046
HWL	2 3/8" API REG	3.0	94-00-047
HWL	2 7/8" API REG	2.7	94-00-048
HWL	3 1/2" API REG	4.5	94-00-049

WRENCHES



PIPE WRENCHES



PIPE WRENCHES		
SIZE	WEIGHT KGS	PART NUMBERS
18 " PIPE WRENCHES	2.6	98-00-000
24 " PIPE WRENCHES	4.8	98-00-002
36 " PIPE WRENCHES	8.9	98-00-004
48 " PIPE WRENCHES	13.8	98-00-006



FULL GRIP PIPE WRENCHES



WIRESLINE WRENCHES		
OUTER TUBE WRENCHES		
SIZE	WEIGHT KGS	PART NUMBERS
AWL	1.8	97-00-001
BWL	1.8	97-00-002
NWL	3.7	97-00-003
HWL	4.3	97-00-004
PWL	5.7	97-00-005
INNER TUBE WRENCHES		
AWL	1.5	97-00-006
BWL	1.8	97-00-007
NWL	1.7	97-00-008
HWL	3.7	97-00-009
PWL	4.1	97-00-010

WIRESLINE DRILL ROD WRENCHES		
SIZE	WEIGHT KGS	PART NUMBERS
AWL	1.8	97-00-011
BWL	1.8	97-00-012
NWL	3.7	97-00-013
HWL	4.3	97-00-014
PWL	5.7	97-00-015